



**Notes**  
 "Pay and Display" car park with 4hrs maximum stay. 51 car parking bays and 2 disabled parking bays have been drafted on plan marked in red, size 4.8m x 2.4m. This plan is subject to a full site survey post demolition works and so the quantity of parking bays may differ slightly.

**Proposed Surface**  
 The proposed surface to be 150mm sub base type 1 or similar, with 70mm D.B.M base course, finishing with black 30mm thick D.B.M wearing course. Parking bays to be located with white and yellow thermo plastic lining paint.

**Drainage**  
 Surface water to be drained via acco drainage system into the Dour River via petrol interceptors, as informally advised by the EA.

**Boundary Wall and Fence**  
 Proposed boundary of site to consist of masonry brick pillars and decorative steel vertical bar railing. Brick to match existing (red stock) and steel railing to be galvanized with a powder coated paint to match the existing Dover blue street furniture. The boundary line adjacent to Thornton's Lane will be concrete posts and timber panels.

**Trees and Soft Landscaping**  
 Areas of the site to be enclosed with semi mature trees. Trees to be Pyrus calleryana chanticleer (Mature height to reach 10 to 15m). Other areas as indicated on plan to include mixed shrub planting (tbc).

**Lighting**  
 Car park to be illuminated by LED street lighting lanterns on 5m stainless steel columns. Design to be Dover from DW Windsor Lighting.

- 1 litter bin to be supplied to each ticket machine.
- 6 Steel powder coated back with gold ring bollards to be installed to manufactures details
- Car park entrance signs and posts. Posts installed 600mm below G.L. in concrete.
- ◇ Lamp column with protector island
- Ticket machine, refer to manufactures installation pack for further detail.
- 🌳 Trees and grass turf
- 🛵 3 Motor Cycle racks installed in concrete base
- ▨ P.C.C Kerb protection backfilled with Type 1 and bitumen maccadam to finish. Refer to drawing C55.356.023 for detail.

Prepared by  
**DOVER DISTRICT COUNCIL**  
 Environment & Corporate Assets  
 Dover District Council  
 White Cliffs Business Park  
 Dover Kent CT16 3PJ  
 Tel: (01304) 821199  
 Fax: (01304) 872240

Euring Roger Walton, C. Eng. M.I.C.E.  
 DIRECTOR OF ENVIRONMENT & CORPORATE ASSETS

Scheme  
**Proposed Car Park Plan at Centurion House Site**

Location  
**Mill Lane, Dover**



Designed: KW	Drawn: KW	Date: April 14
Scale: 1 to 250	Drawing Number: C55.356/003	Rev

This map is reproduced from Ordnance Survey material with the permission of Ordnance Survey on behalf of the Controller of Her Majesty's Stationery Office © Crown copyright. Unauthorised reproduction infringes Crown copyright and may lead to prosecution or civil proceedings. Dover District Council Licence No. LA 07778X published 2013

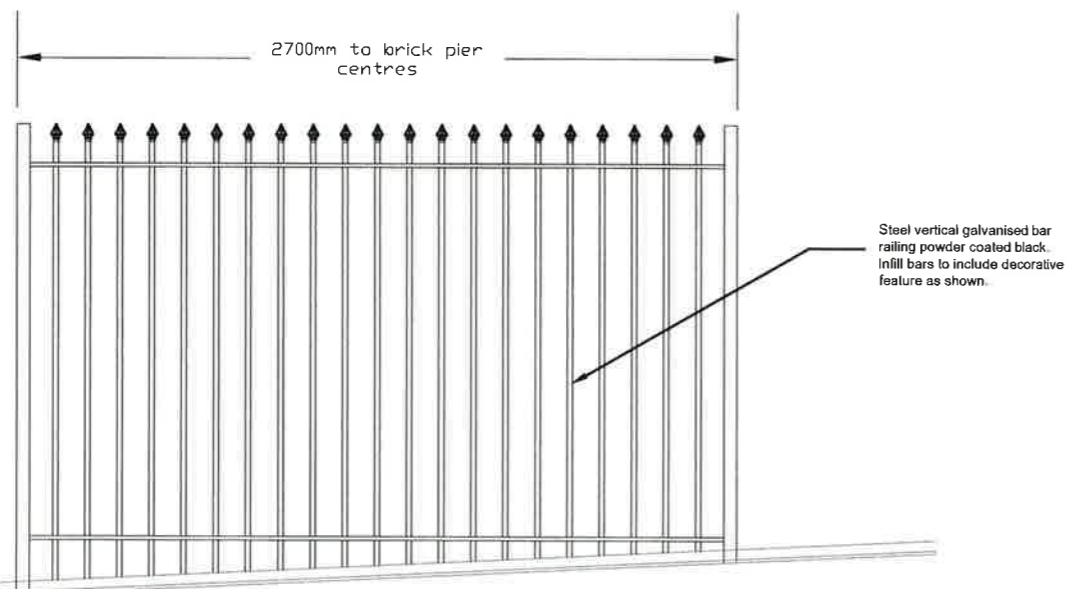




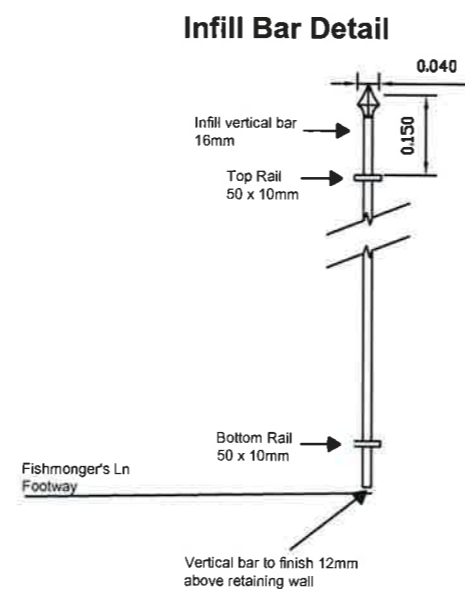
**Bench Street Elevation (1:200)**



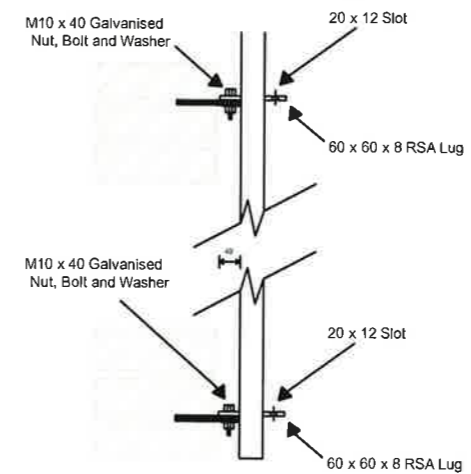
**Fishmongers Lane Elevation (1:200)**



NTS



**Post / Brick Mounting Detail**



NTS



Prepared by  
 Environment & Corporate Assets  
 Dover District Council  
 White Cliffs Business Park  
 Dover Kent CT16 3PJ  
 Tel: (01304) 821199  
 Fax: (01304) 872240

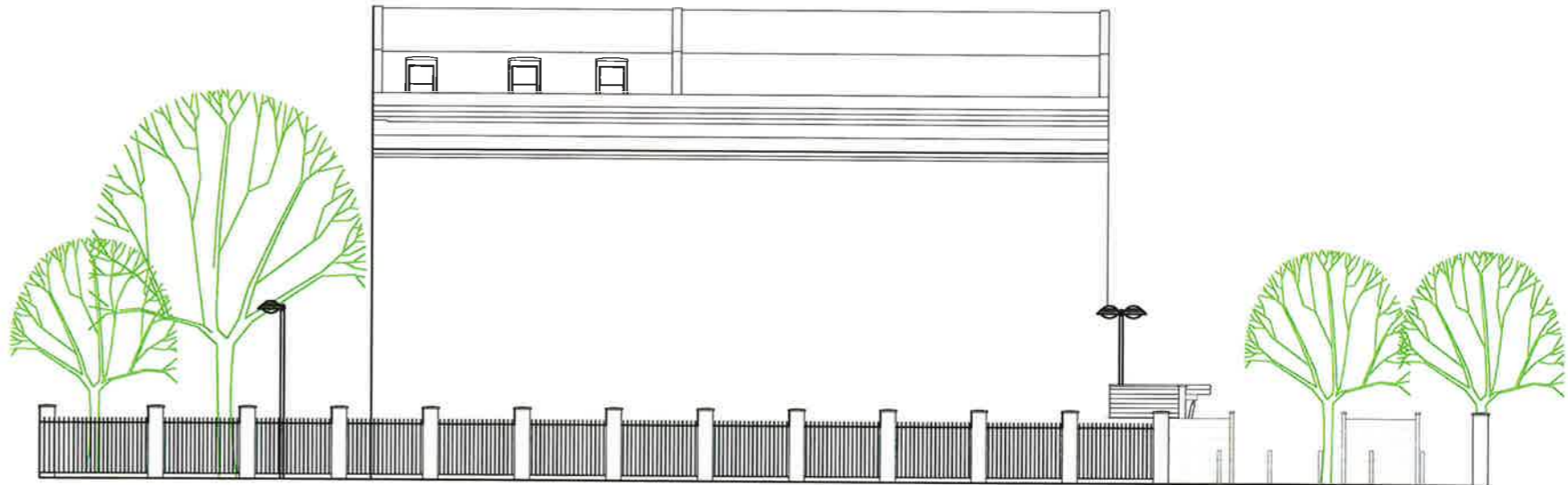
Euring Roger Walton, C. Eng. M.I.C.E.  
 DIRECTOR OF ENVIRONMENT & CORPORATE ASSETS

Scheme  
**Proposed Car Park Elevations/  
 Fence Details**

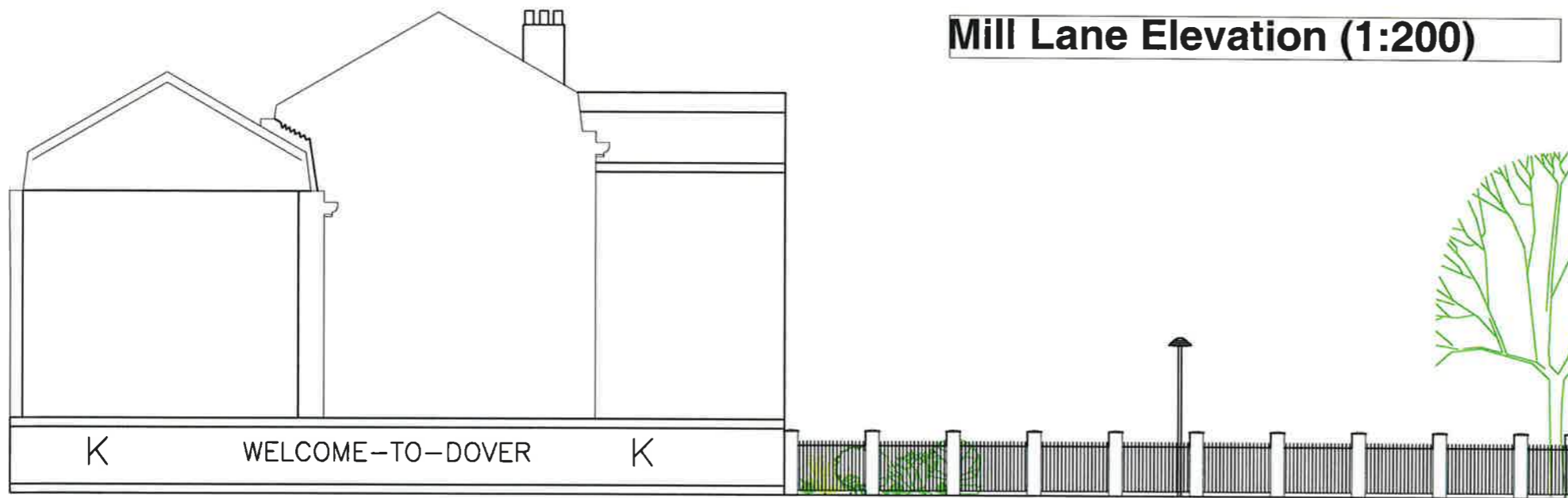
Location  
**Bench Street, Dover  
 Fishmonger's Lane, Dover**



Designed: KW	Drawn: KW	Date: July 14
Scale 1 to 500	Drawing Number C55.356/008	Rev B

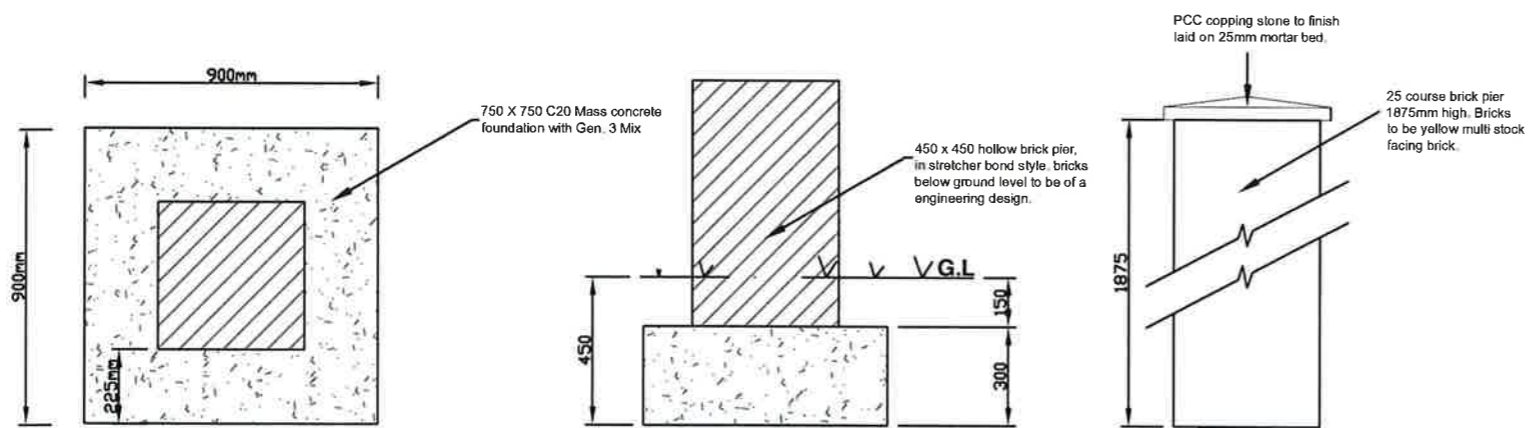


**Mill Lane Elevation (1:200)**



**A20 Elevation (1:200)**

**Foundation and Brick Pier Detail for Boundary Fence**



PLAN VIEW

SECTIONAL ELEVATIONS

NTS



Prepared by  
 Environment & Corporate Assets  
 Dover District Council  
 White Cliffs Business Park  
 Dover Kent CT16 3PJ  
 Tel: (01304) 821199  
 Fax: (01304) 872240

Euring Roger Walton, C. Eng. M.I.C.E.  
 DIRECTOR OF ENVIRONMENT & CORPORATE ASSETS

Scheme  
**Proposed Car Park Elevations  
 Centurion House Site**

Location  
**Bench Street, Dover  
 Fishmonger's Lane, Dover**



Designed: KW Drawn: KW Date: May 14

Scale 1 to 500 Drawing Number C55.356.009 Rev B